



Solutions

Close

Preferred Integrators

THE FLEXIBLE HEAVY-DUTY ROBOT

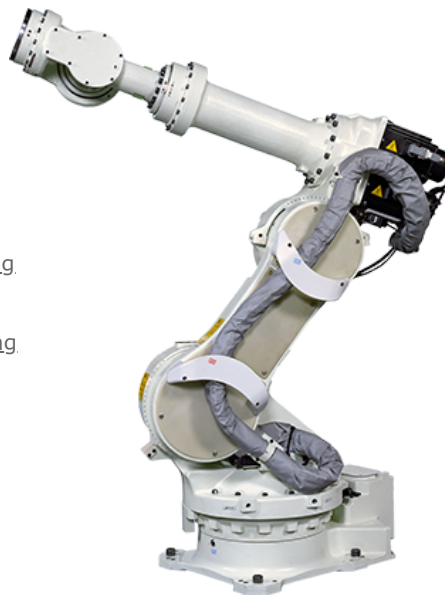
The ZH100U robot features a short reach and can be installed close to the workpiece. It is well suited for welding applications using a small weld gun.

ZH100U Overview:

Payload **100 kg**
 Max.Reach **1,634 mm**

Applications:

- [Assembly](#)
- [Machine Tending](#)
- [Material Removal](#)
- [Spot Welding](#)
- [Friction Spot Joining](#)
- [Material Handling](#)
- [Sealing / Dispensing](#)

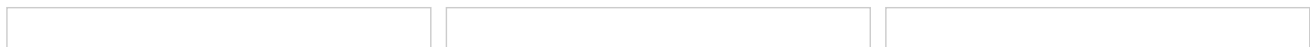


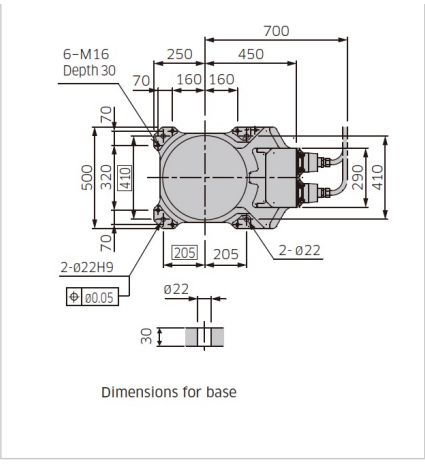
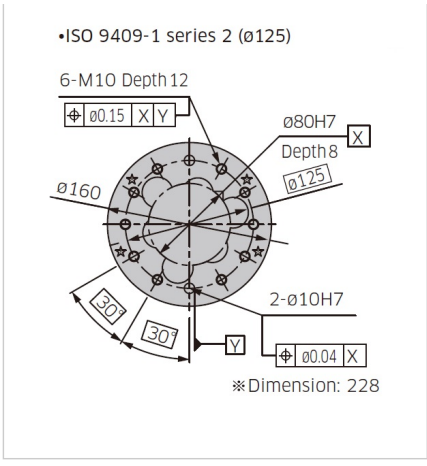
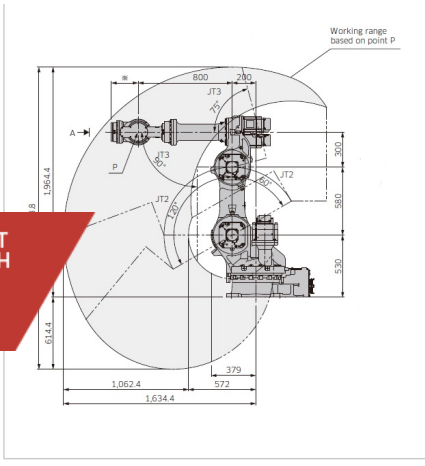
DATA DOWNLOAD

- Brochure
- Specifications
- Installation & Connection Manual

MOTION RANGE & DIMENSIONS

Click on the drawings below to view. Dimensions shown are in (mm).





ZH100U SPECIFICATIONS

ZH100U SPECIFICATIONS		
Type	Articulated Robot	
Degrees of Freedom (axes)	6	
Payload (kg)	100	
Max. Reach (mm)	1,634	
Positional Repeatability (mm) *1	±0.3	
Motion Range (°)	Arm Rotation (JT1)	±160
	Arm Out-in (JT2)	+120 - -60
	Arm Up-down (JT3)	+75 - -90
	Wrist Swivel (JT4)	±360
	Wrist Bend (JT5)	±130
	Wrist Twist (JT6)	±360
Max. Speed (°/s)	Arm Rotation (JT1)	140
	Arm Out-in (JT2)	100
	Arm Up-down (JT3)	100
	Wrist Swivel (JT4)	150
	Wrist Bend (JT5)	150
	Wrist Twist (JT6)	250
Allowable Moment (N•m) *2	Wrist Swivel (JT4)	874
	Wrist Bend (JT5)	874
	Wrist Twist (JT6)	392
Allowable Moment of Inertia (kg•m²) *2	Wrist Swivel (JT4)	90.0
	Wrist Bend (JT5)	90.0
	Wrist Twist (JT6)	20.0
Mass (kg)	750	
Mounting	Floor	
Installation Environment	Ambient Temperature (°C)	0 - 45
	Relative Humidity (%)	35 - 85 (No dew, nor frost allowed)
Controller / Power Requirements (kVA)	America & Europe	E02 / 7.5
	Japan & Asia	E02 / 7.5

*1: The figure conforms to ISO9283.

*2: In case of using the face plate which is supported by proper bolts and pins.

Contact



Click here or call (855) 855-1414

ROBOT
SEARCH



Share



Products

Robots

Small - Medium Payloads
Large Payloads
Extra Large Payloads
Clean

Dual Arm SCARA
Medical & Pharmaceutical
Painting
Palletizing

Pick & Place
Welding - Arc
Welding - Spot
Retired Models

Follow Us

Facebook
Twitter

Controllers

Universal Controllers
E Controllers
F Controllers
Clean Controllers
Paint Controllers

Other Products

Software Tools
Simulation & OLP
Vision Systems
Peripherals
Robot Transport Units

Featured Video Robotics News & Events
About Careers Contact

Robotics Sitemap/ CSF



[Corporate Info](#) / [Stories](#) / [News & Events](#) / [Sustainability](#) / [Investors](#)

Our Products